

Robert Abbey, Inc.

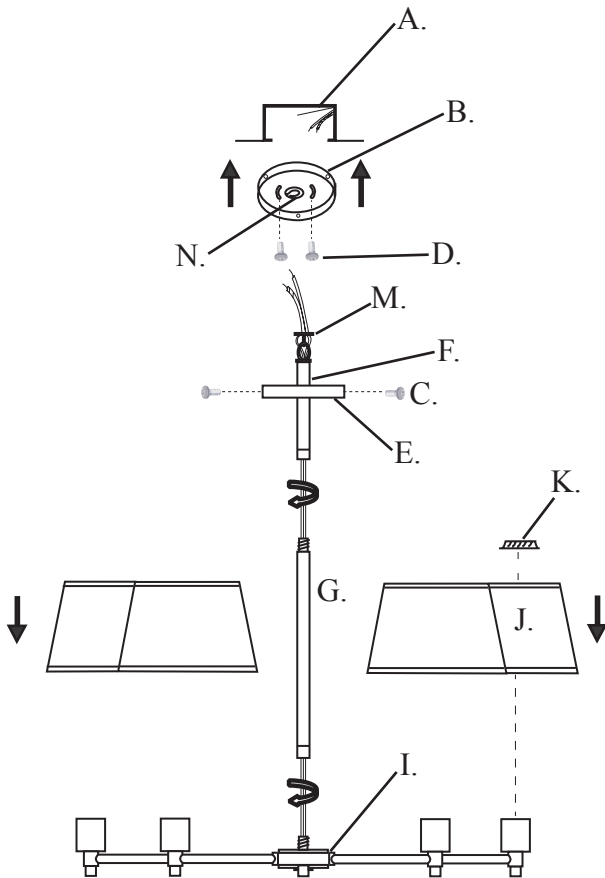
Assembly & Installation Instructions

Caution: Read instructions carefully and turn electricity off at main circuit breaker panel before beginning installation.

*****IT IS RECOMMENDED THAT A CERTIFIED, LICENSED ELECTRICIAN INSTALL THIS FIXTURE*****

Warning: If any special control devices are used with this fixture, follow the instructions carefully to assure full compliance with N.E.C. requirements. If there are any questions, contact a qualified electrical contractor.

*****DETERMINE REQUIRED MEASUREMENT BEFORE MAKING CONNECTION-IT MAYBE NECESSARY TO REMOVE SOME OF THE RODS TO OBTAIN THE DESIRED LENGTH*****



- 1.- CAREFULLY REMOVE ALL PARTS FROM THE BOX.
- 2.- REMOVE MOUNTING PLATE (B) FROM CANOPY (E) BY LOOSENING SCREWS (C) PROVIDED.
- 3.- THREAD WIRES FROM THE J-BOX (A) THROUGH HOLE IN MOUNTING PLATE (B).
- 4.- ATTACH MOUNTING PLATE (B) TO J-BOX (A) WITH SCREWS (D) PROVIDED.
- 5.- REMOVE TUBES, IF NECESSARY, TO ACHIEVE DESIRED LENGTH. TUBE (F) MUST REMAIN IN PLACE.
- 6.- SECURE THE TOP OF TUBE (G) TO THE BOTTOM OF THE TUBE (F).
- 7.- SECURE THE THE CENTER OF LAMP (I) TO THE BOTTOM OF TUBE (G).
- 8.- MAKE THE NECESSARY WIRING CONNECTIONS:
 - CONNECT THE COPPER WIRE FROM THE FIXTURE TO THE GROUND WIRE
 - CONNECT THE ROUGH SIDE OF THE WIRE (THE WHITE SIDE OF WIRE) FROM FIXTURE TO THE WHITE WIRE FROM THE J-BOX
 - CONNECT SMOOTH SIDE OF WIRE (OR BLACK SIDE OF WIRE) FROM FIXTURE TO BLACK WIRE COMING FROM THE J-BOX.
- 9.- SLIDE PART (M) INTO THE SLOT IN PART (N).
- 10.- SLIDE CANOPY (E) OVER THE MOUNTING PLATE (B) AND SECURE WITH THE SCREWS (C) PROVIDED.
- 11.- REMOVE FLANGE (K) FROM THE SOCKET (L). ATTACH SHADE (J) TO THE TOP OF SOCKET (L) AND SECURE WITH FLANGE (K).
- 12.- INSERT RECOMMENDED 4-60W MAX. CANDELABRA LIGHT BULBS INTO SOCKET.